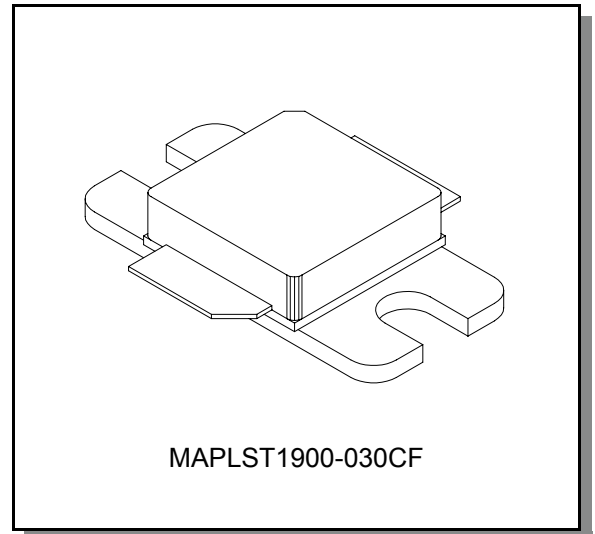


## Features

Designed for PHS applications in the 1890-1925 MHz frequency band.

- Typical performance in PHS mode at -68 dBc ACPR (600kHz):
  - Average Output Power: 8W
  - Gain: 13dB (typ.)
  - Efficiency: 26% (typ.)
- 10:1 VSWR Ruggedness at 8W, 26V, 1890MHz)

## Package Style



## Maximum Ratings

Parameter	Symbol	Rating	Units
Drain—Source Voltage	$V_{DS}$	65	$V_{dc}$
Gate—Source Voltage	$V_{GS}$	20	$V_{dc}$
Total Power Dissipation @ $T_c = 25\text{ }^\circ\text{C}$	$P_D$	97	W
Storage Temperature	$T_{STG}$	-40 to +150	$^\circ\text{C}$
Junction Temperature	$T_J$	+200	$^\circ\text{C}$

## Thermal Characteristics

Characteristic	Symbol	Max	Unit
Thermal Resistance, Junction to Case	$R_{\theta JC}$	1.8	$^\circ\text{C/W}$

**NOTE—CAUTION**—MOS devices are susceptible to damage from electrostatic charge. Precautions in handling and packaging MOS devices should be observed.

Preliminary

Characteristic	Symbol	Min	Typ	Max	Unit
<b>DC CHARACTERISTICS @ 25°C</b>					
Drain-Source Breakdown Voltage ( $V_{GS} = 0$ Vdc, $I_D = 20$ $\mu$ Adc)	$V_{(BR)DSS}$	65	—	—	Vdc
Zero Gate Voltage Drain Leakage Current ( $V_{DS} = 26$ Vdc, $V_{GS} = 0$ )	$I_{DSS}$	—	—	1	$\mu$ Adc
Gate—Source Leakage Current ( $V_{GS} = 5$ Vdc, $V_{DS} = 0$ )	$I_{GSS}$	—	—	1	$\mu$ Adc
Gate Threshold Voltage ( $V_{DS} = 10$ Vdc, $I_D = 1$ mA)	$V_{GS(th)}$	2	—	4	Vdc
Gate Quiescent Voltage ( $V_{DS} = 26$ Vdc, $I_D = 250$ mA)	$V_{DS(Q)}$	2	—	4.5	Vdc
Drain-Source On-Voltage ( $V_{GS} = 10$ Vdc, $I_D = 1$ A)	$V_{DS(on)}$	—	0.2	—	Vdc
Forward Transconductance ( $V_{GS} = 10$ Vdc, $I_D = 1$ A)	Gm	—	1.2	—	S
<b>DYNAMIC CHARACTERISTICS @ 25°C</b>					
Input Capacitance (Including Input Matching Capacitor in Package) ( $V_{DS} = 26$ Vdc, $V_{GS} = 0$ , $f = 1$ MHz)	$C_{iss}$	—	90	—	pF
Output Capacitance ( $V_{DS} = 26$ Vdc, $V_{GS} = 0$ , $f = 1$ MHz)	$C_{oss}$	—	32.5	—	pF
Reverse Transfer Capacitance ( $V_{DS} = 26$ Vdc, $V_{GS} = 0$ , $f = 1$ MHz)	$C_{rss}$	—	1.5	—	pF
<b>RF FUNCTIONAL TESTS @ 25°C (In M/A-COM Test Fixture)</b>					
PHS Gain ( $V_{DS} = 26$ Vdc, Pi/4 DQPSK, 192 kHz, $P_{OUT} = 8$ W (avg.), $I_{DQ} = 250$ mA, $f_0 = 1920$ MHz)	$G_{ps}$	—	13.0	—	dB
PHS Drain Efficiency ( $V_{DS} = 26$ Vdc, Pi/4 DQPSK, 192 kHz, $P_{OUT} = 8$ W (avg.), $I_{DQ} = 250$ mA, $f_0 = 1920$ MHz)	EFF ( $\eta$ )	—	26	—	%
PHS ACPR @ 600 kHz offset ( $V_{DS} = 26$ Vdc, Pi/4 DQPSK, 192 kHz, $P_{OUT} = 8$ W (avg.), $I_{DQ} = 250$ mA, $f_0 = 1905$ MHz)	ACPR	—	-68	—	dBc
PHS ACPR @ 900 kHz offset ( $V_{DS} = 26$ Vdc, Pi/4 DQPSK, 192 kHz, $P_{OUT} = 8$ W (avg.), $I_{DQ} = 250$ mA, $f_0 = 1905$ MHz)	ACPR	—	-78	—	dBc
PHS Gain ( $V_{DS} = 26$ Vdc, Pi/4 DQPSK, 192 kHz, $P_{OUT} = 8$ W (avg.), $I_{DQ} = 250$ mA, $f_0 = 1890$ MHz)	$G_{ps}$	—	13.0	—	dB
PHS Drain Efficiency ( $V_{DS} = 26$ Vdc, Pi/4 DQPSK, 192 kHz, $P_{OUT} = 8$ W (avg.), $I_{DQ} = 250$ mA, $f_0 = 1890$ MHz)	EFF ( $\eta$ )	—	26	—	%
Input Return Loss ( $V_{DS} = 26$ Vdc, Pi/4 DQPSK, 192 kHz, $P_{OUT} = 8$ W (avg.), $I_{DQ} = 250$ mA, $f_0 = 1920$ MHz)	IRL	—	-12	-9	dB
Output VSWR Tolerance ( $V_{DS} = 26$ Vdc, Pi/4 DQPSK, 192 kHz, $P_{OUT} = 8$ W (avg.), $I_{DQ} = 250$ mA, $f_0 = 1890$ MHz)	$\Psi$	No Degradation In Output Power Before and After Test			

Preliminary

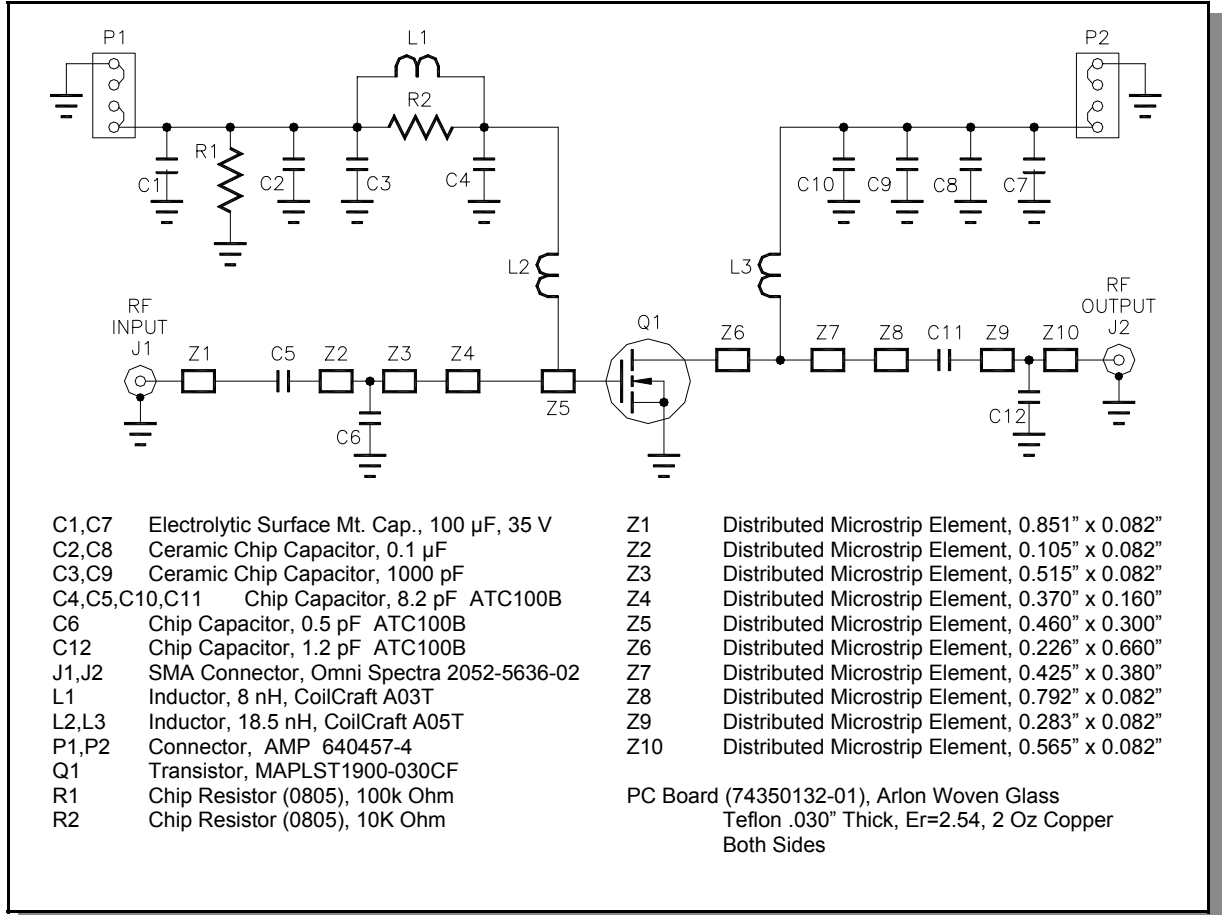


Figure 1. 1890—1925 MHz Test Fixture Schematic

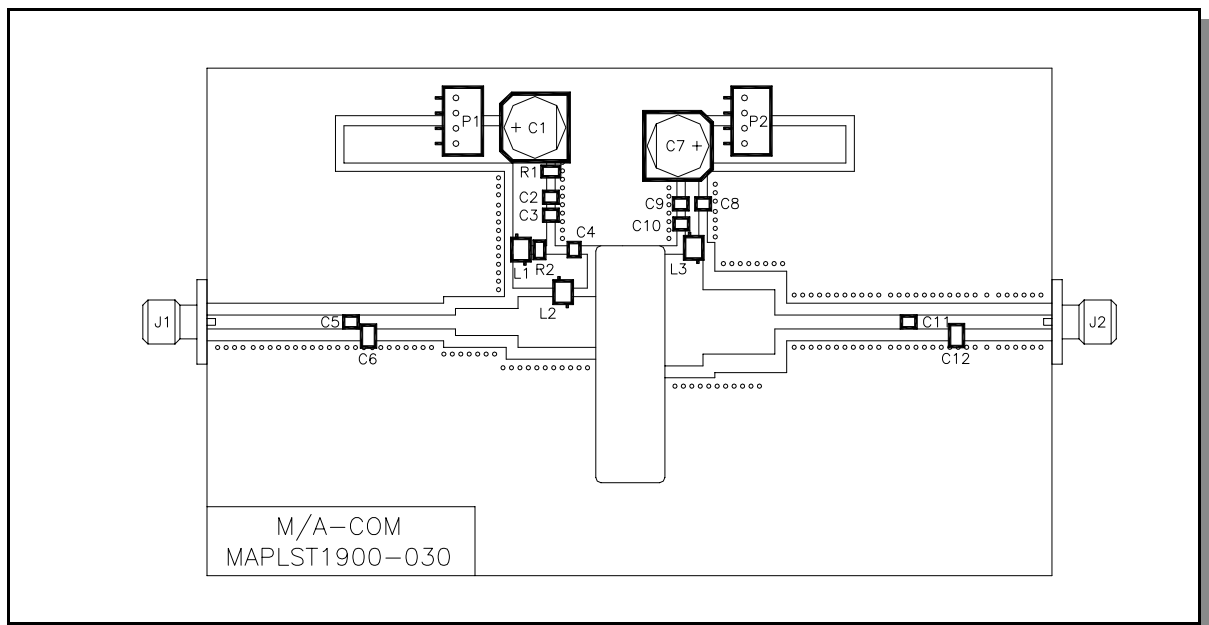
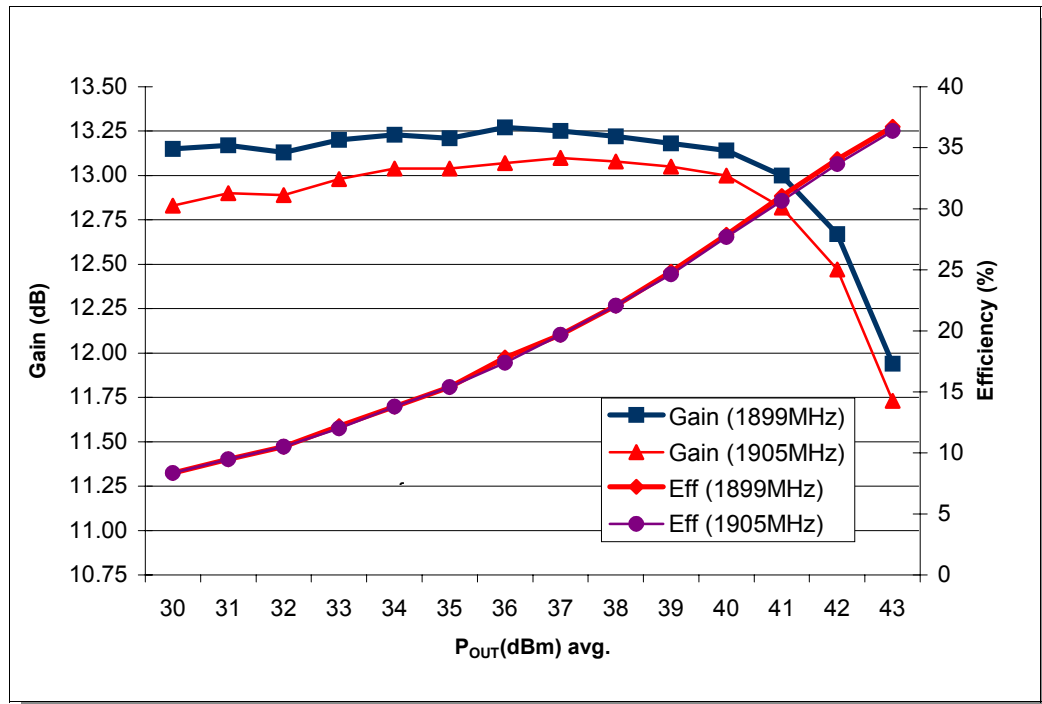
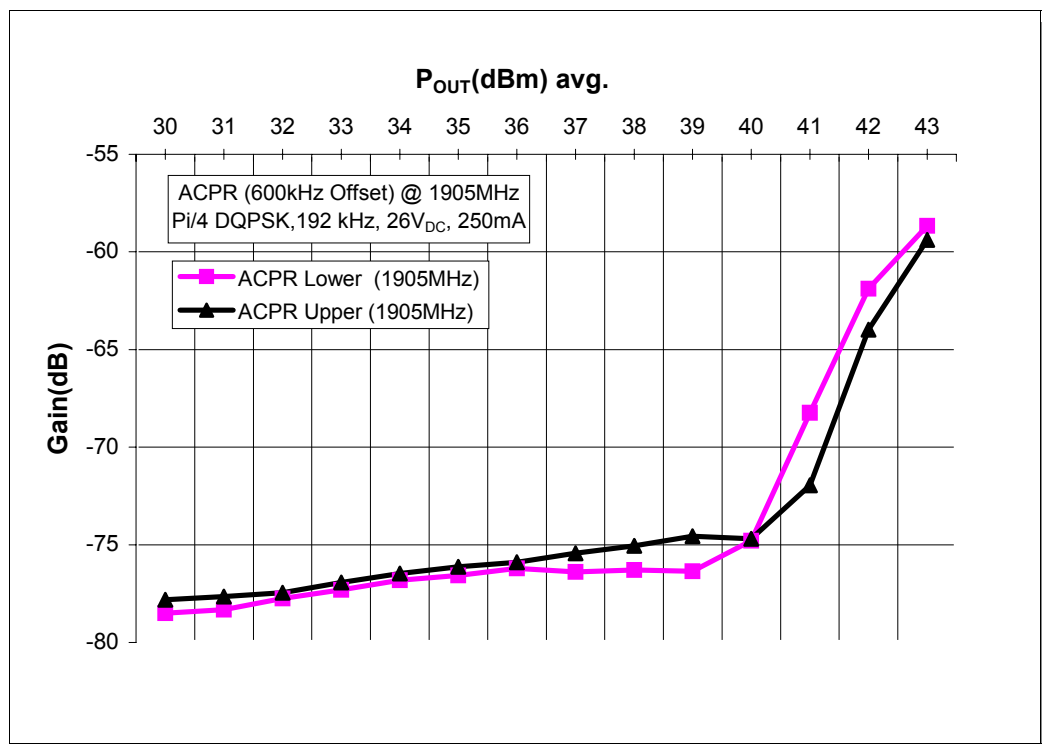


Figure 2. 1890—1925 MHz Test Fixture Component Layout

Preliminary

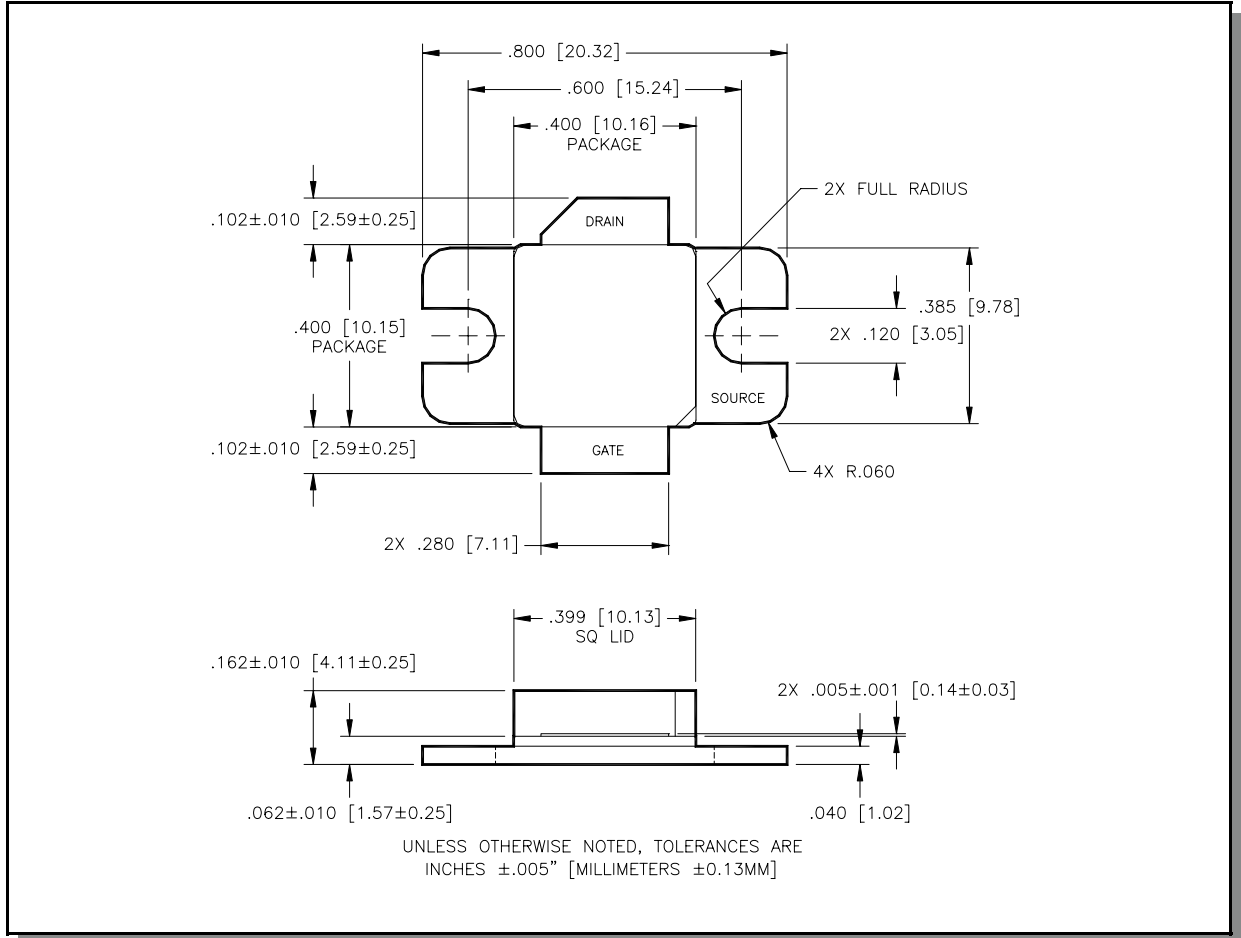


Graph 1. PHS: Power Gain and Drain Efficiency vs. Output Power



Graph 2. PHS: Adjacent Channel Power Ratio vs. Output Power

Package Dimensions



M/A-COM Inc. and its affiliates reserve the right to make changes to the product(s) or information contained herein without notice. M/A-COM makes no warranty, representation or guarantee regarding the suitability of its products for any particular purpose, nor does M/A-COM assume any liability whatsoever arising out of the use or application of any product(s) or information.

Visit [www.macom.com](http://www.macom.com) for additional data sheets and product information.

- North America: Tel. (800) 366-2266
- Asia/Pacific: Tel.+81-44-844-8296, Fax +81-44-844-8298
- Europe: Tel. +44 (1344) 869 595, Fax+44 (1344) 300 020